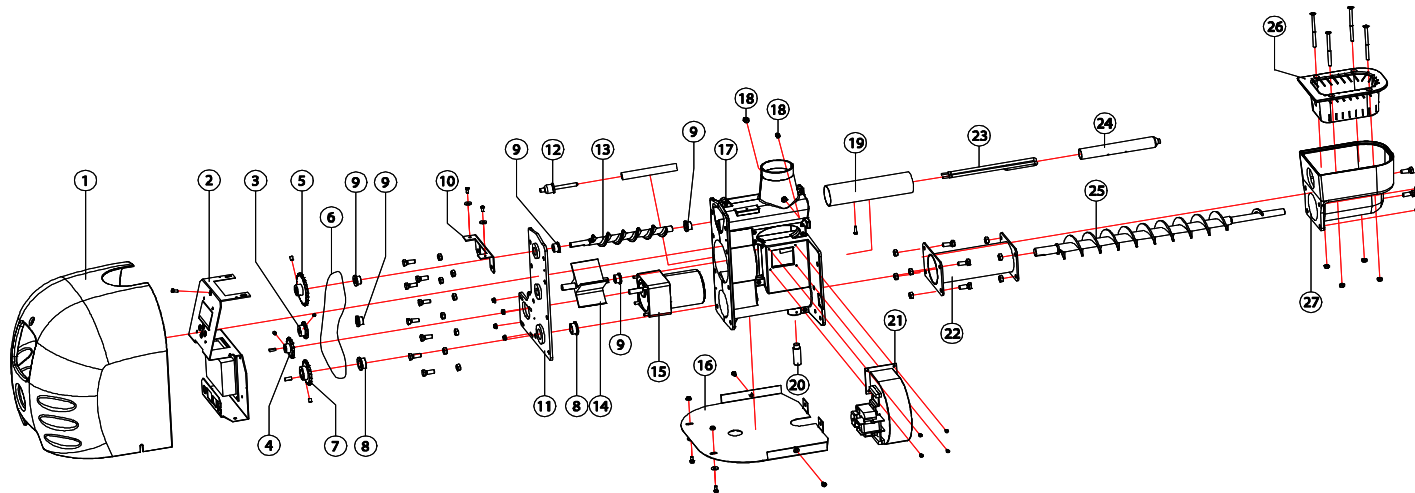
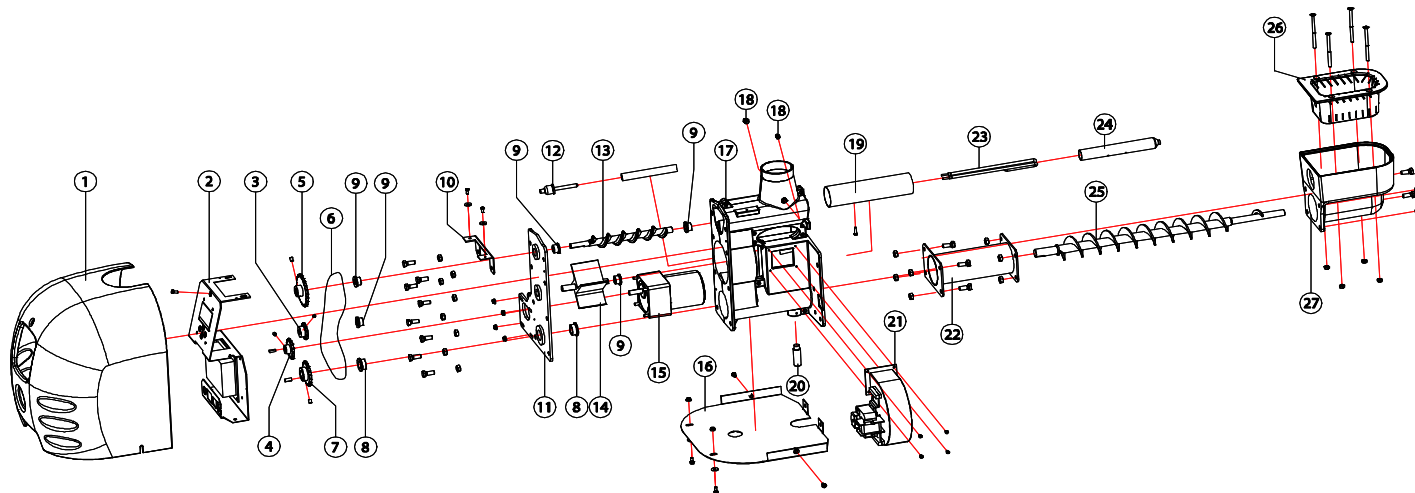


Article: **5151030SW**
 Valid from serialnumber: **55001**
 Valid to serialnumber:
 Updated: **24.02.2010**



	Product nr. FIN	Product nr. SWE	Product name	Further information	Weight	Installer	Distributor
1	13182	5042	Burner cover BQ20-202		2,0		
2	25033	5043	Control panel BQ20	Incl. all sensors	1,0		
3	1136	5346	Chain wheel Z=12		0,1		X
4	13197	5023	Chain wheel N06B1-15	BQ20-133B	0,1		X
5	13198	5831	Chain wheel N06B1-24	BQ20-127	0,2		X
6	11381	5885	Chain 75-loop + extension		0,2	X	X
7	13201	5025	Chain wheel N06B1-18	BQ20-136A	0,1		X
8	10822	5339	Oil bronze bearing	18/24x12-30x3	0,1	X	X
9	9710-52380001	5425	Oil bronze bearing	12/18x8-24x3 SMS779*	0,1	X	X
10	13529	5044	Upper holder for electronic plate	BQ20-215B	0,1		
11	13528	5040	Motor plate	BQ20-211A	3,0		
12	10668	5359	Flame sensor		0,1	X	X
13	13185	5041	Feeding auger	BQ20-128B	0,5		
14	13187	5486	Sluss gate BQ20-100C	Chain pulling BQ20-100C	0,5	X	X
15	10667	5488	Burner motor	S8I15GXCE/S8KA180M	3,0	X	X
16	13193	5045	Bottom plate	BQ20-124C	2,0		
17	13526	5029	Left / right block	BQ20-105C/106D	5,0		
18	10669	5360/5361	Lever sensor		0,1	X	X
19	13191	5030	Air pipe BQ20-116A	BQ20-116A	0,3		

Article: **5151030SW**
 Valid from serialnumber: **55001**
 Valid to serialnumber:
 Updated: **24.02.2010**



	Product nr. FIN	Product nr. SWE	Product name	Further information	Weight	Installer	Distributor
20	13582	5031	Guide base bolt	BQ20-217A	0,1		
21	13356	1293	Fan	SUO78613	1,2	X	X
22	13190	5032	Pipe for burner screw	BQ20-123C	1,0		
23	13199	5033	Ignition element	230V BQ20-126 AISI 316	0,2	X	X
24	13186	5034	Ignition pipe	BQ20-134	0,2		
25	13192	5035	Burner screw	BQ20-123C	3,0		
26	13184	5036	Inner mould, burner cup	BQ20-304A	3,0		X
27	13183	5037	Outer mould, burner cup		4,0		X